

### Features

- Curved basin creates a comfortable bathing experience.
- Integral flange helps prevent water from seeping behind wall and simplifies alcove installation.
- Textured bottom surface.

### Material

- Acrylic.

### Installation

- Right drain.
- Alcove.

### Recommended Products/Accessories

- K-7161-AF 1-1/2" adjustable pop-up drain above- or through-floor
- K-7213 27" Cable Bath Drain
- K-7214 27" Cable Bath Drain
- K-23726 Drain treatment
- K-23732 Tub & shower cleaner



### Codes/Standards

- CSA B45.5/IAPMO Z124
- ASTM E162
- ASTM E662



### KOHLER® Plastic Baths and Receptors Lifetime Limited Warranty

See website for detailed warranty information.

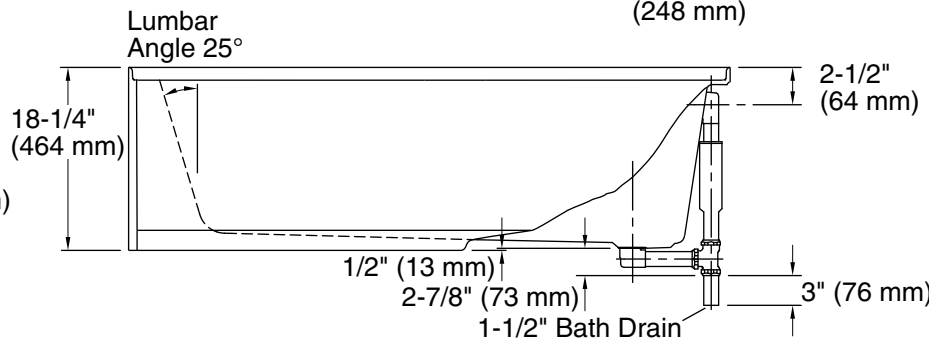
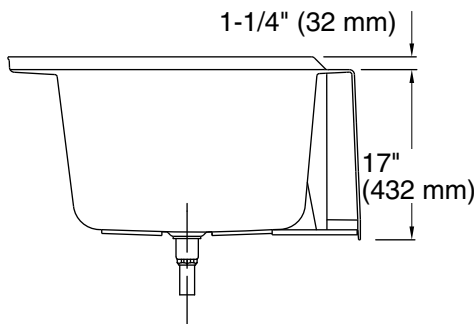
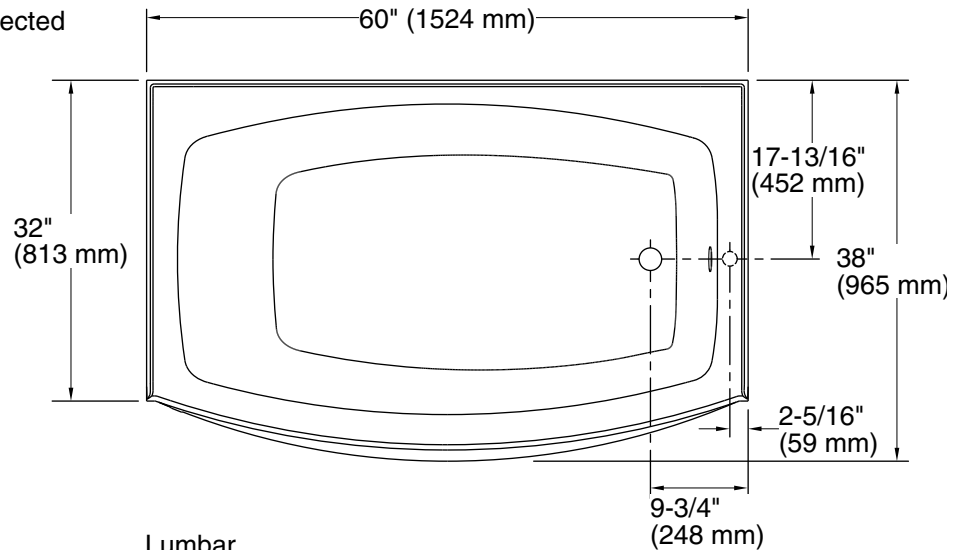
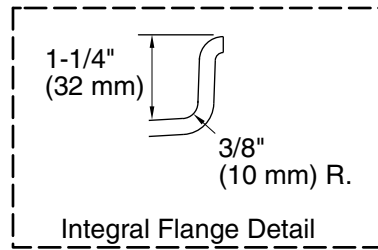
### Available Colors/Finishes

*Color tiles intended for reference only.*

| Color | Code | Description |
|-------|------|-------------|
|-------|------|-------------|

|   |    |         |
|---|----|---------|
|  | 0  | White   |
|  | 96 | Biscuit |

No change in measurements if connected with drain illustrated. (K-7213)



### Technical Information

All product dimensions are nominal.

|                     |   |
|---------------------|---|
| Installation:       | Three-wall alcove                                 |
| Drain location:     | Right   |
| Basin area, bottom: | 45-11/16" x 27-5/8" (1160 mm x 702 mm)            |
| Basin area, top:    | 54" x 31" (1372 mm x 787 mm)                      |
| Weight:             | 78 lbs (35.4 kg)                                  |
| Minimum floor load: | 38 lbs/ft <sup>2</sup> (185.5 kg/m <sup>2</sup> ) |
| Water depth:        | 12-5/8" (321 mm)                                  |
| Water capacity:     | 60 gal (227.1 L)                                  |

### Notes

Measure your actual product for rough-in details.

Install this product according to the installation instructions.

The hot water supply should be 70% of the capacity of the bath or greater. Installations will vary.